

## HFP2X1W

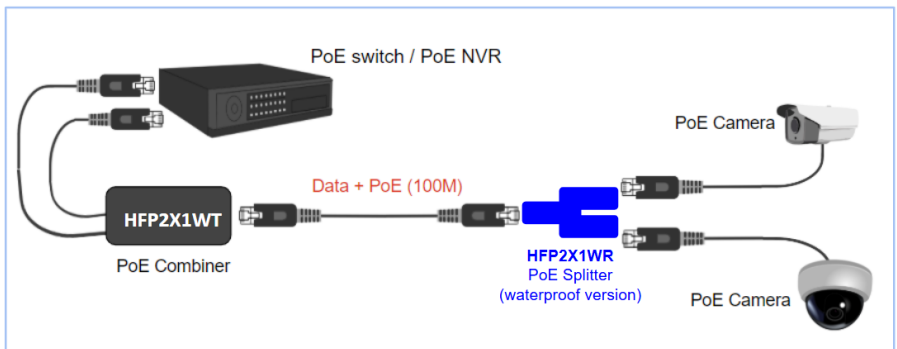
### PoE Combiner/Splitter (waterproof version)

The device is a 1-to-2 PoE combiner and splitter designed for installing additional cameras at the exact location but from different angles. It easily integrates with existing Ethernet cables in ceilings or buildings and requires no extra installation. This plug-and-play solution allows two PoE cameras to run simultaneously through a single Ethernet connection, making it perfect for expanding camera setups without further work. [The splitter's outer shell has an IP68 rating so that it can be installed outdoors.](#)

#### Key Features:

- Utilizes a single Cat5e/6 cable to connect two PoE cameras to a PoE switch or NVR.
- Provides power delivery of up to 30 watts to each port by 802.3af/at standards.
- Requires no additional power source.
- Effortless and ready-to-use design that requires minimal configuration.
- Significantly reduces both installation costs and time.
- [Splitter has IP68 rating for outdoor use; combiner does not.](#)

#### Typical Application:



## Specification:

Ethernet interface	10/100Base-TX
Transmission Ethernet cable	Cat5e/6
Transmission distance	100 Meters (from splitter to combiner)
Connections	<Splitter> 3 x Female RJ45 <Combiner> 2 x Male RJ45, 1 x Female RJ45
PoE compatibility	IEEE802.3af/at at maximum 30W per port
Operating humidity	10-90%
IP rating	<Splitter> IP68 ; <Combiner> N/A
Outer shell material	<Splitter> PA66 ; <Combiner> ABS
Operating temperature	-30°C-65°C
Size (L x W x H)	<Splitter> 133 x 58 x 29mm <Combiner> 179 x 31 x 23mm
Net Weight	<Splitter> 95g <Combiner> 35g

## Operation Manual:

1. Remove the power from PoE switch/NVR.
2. Take out the splitter and combiner from the box.
3. Connect PoE cameras to splitter with Cat5e/6 cable.
4. Connect Cat5e/6 cable between the splitter and combiner.
5. Connect PoE switch/NVR to combiner.
6. Then, power on the PoE switch/NVR.

### **△ Notes**

Please keep the port clean. The metal chassis should be regularly cleaned with an anti-static cloth. Do not use petrol. Do not expose the metal chassis directly to sunlight, ultraviolet rays, or extreme temperatures. Prevent it from being shocked, and do not immerse it in any liquid.

**Electric etching or engraving by high voltages can destroy the electronic chip. No warranty will be given!**

Never dismantle the metal chassis housing.