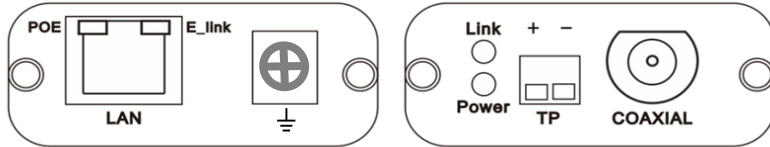


# HFCE1X1

## PoE over coaxial/twisted pair Extender

- Coaxial or twisted pair transmission of high-definition video signals.
- Coaxial cable maximum transmission distance up to 500 meters.
- Twisted Pair cable maximum transmission distance up to 300 meters (solid) and 70 meters (stranded).
- Support for IGMP, two-way multicast.
- Plug and play, ad hoc network.
- 100 Mbps physical layer bandwidth and max. 94 Mbps TCP rate.

### Interface drawing:



### Interface definition details:

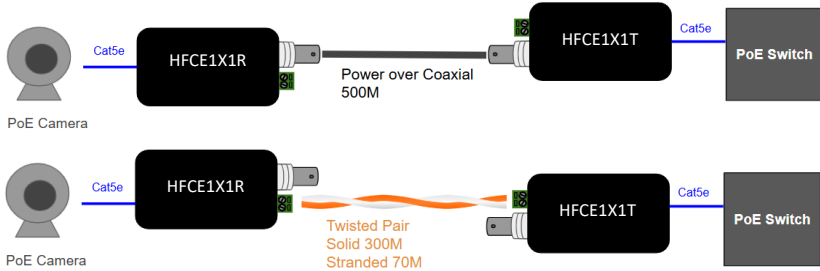
	Connector specifications	Symbol	PIN	Function declaration
Ethernet port	RJ45 port	LAN	1,2,3,6	-Connect to network cameras, video recorders, switches, and other network equipment. -PD LAN port can be used as a POE power input. -PSE LAN port can be used as a POE power supply output.
Transfer port	3.81 mm spacing Two phoenix terminals	TP	+	Connect to the positive pole of the transmission cable
			-	Connect to the negative pole of the transmission cable
	BNC seat	COAXIAL		The round hole in the middle of the seat is the positive pole, and the outer shell is the negative pole

*\*Products need to be used in pairs.*

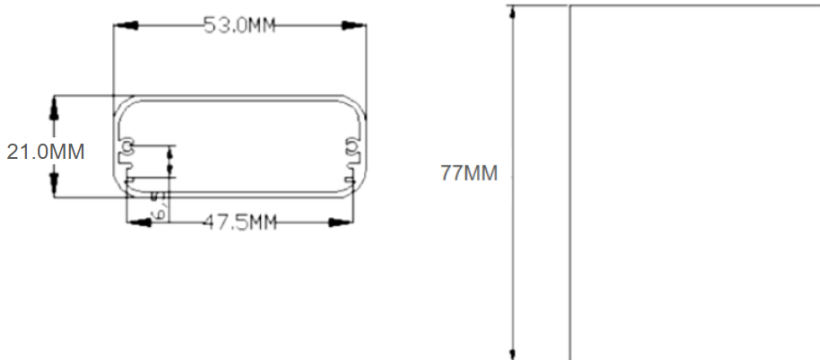
## Specification:

Category	Classification	Parameter
Source	Power of machine	≤2W
	Export	PSE output, compatible with af and at standards
Transfer	Transmission media	Network cable, twisted pair, coaxial
	Haul up	Maximum 500 meters
	Tape width	Maximum 94Mbps (10Mbps above 500m coaxial)
	Group broadcast	IGMP multicast protocol is supported
	Ethernet	100Mbps standard, compatible with 10Mbps
Connector	Ethernet network (data)	RJ45 (1,2 and 3,6)
	Transfer port	BNC seat or 2x3.81mm phoenix terminal
Pilot lamp	Power	Power supply indicator light, always on after regular power supply
	Link	The previous connection indicator of two transmissions is the light, and connection is always on.
	RJ45 Yellow PoE	Ethernet access to PoE devices and opening the PoE are often bright.
	RJ45 Green E_Link	The Ethernet communication indicator is bright when the connection is successful and flashes during communication.
Surface	Size (L x W x H)	77 x 53 x 21mm
	Color	Black
	Net weight	175g (pair)
Environmental requirements	Working temperature	-10°C-70°C
	Humidity	0-95%
	Storage temperature	-40°C-85°C

## Typical Application:



## Product size diagram:



## Packaging details:

Dimensions (LxWxH)	160x128x37mm
Weight	225g

## Operation Manual:

1. Remove the power from PoE switch/NVR.
2. Take out the transmitter and receiver from the box.
3. Connect PoE camera to receiver with Cat5e cable.
4. Connect coaxial cable or twisted pair cable between receiver and transmitter.
5. Connect PoE switch/NVR to transmitter with Cat5e cable.
6. Then, power on the PoE switch/NVR.

### **△Notes**

Please keep the port clean. The metal chassis should be regularly cleaned with an anti-static cloth. Do not use petrol. Do not expose the metal chassis directly to sunlight, ultraviolet rays, or extreme temperatures. Prevent it from being shocked, and do not immerse it in any liquid.

**Electric etching or engraving by high voltages can destroy the electronic chip. No warranty will be given!**

Never dismantle the metal chassis housing.