

HFCE1X1-E

PoE over Coax Extender

The PoE over coaxial extender sends video and power through existing coaxial cables. It can work up to 400 meters and is commonly used to upgrade currently analog cameras to IP surveillance system without changing the cables.



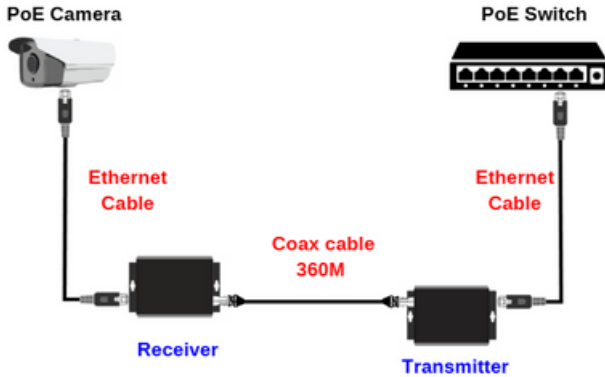
Specification:

Function	1*10/100Mbps Base-TX, 1*BNC
Power Consumption	<2W
Transmission Bandwidth	RG59, 400m/100Mbps & 1000m/10Mbps
PoE Protocol	IEEE802.3af, IEEE802.3at
Network Standard	IEEE802.3(x), IEEE802.3u
Lightning Protection	4KV
Operating Temperature	-30°C to 65°C
Operating Humidity	5%~95%
Dimension (L x W x H)	99 x 59 x 23mm
Weight	61g

Operation Manual:

1. Remove the power from PoE switch/NVR.
2. Take out the transmitter and receiver from the box.
3. Connect PoE camera to receiver with Cat5e cable.
4. Connect coaxial cable between receiver and transmitter.
5. Connect PoE switch/NVR to transmitter with Cat5e cable.
6. Then, power on the PoE switch/NVR.

Application Diagram:



Transmission Performance:

Bandwidth	100Mbps	100Mbps	10Mbps
Capacity	21W	11W	4W
Distance	100m	300m	1000m

⚠ Notes

Please keep the port clean. The metal chassis should be regularly cleaned with an anti-static cloth. Do not use petrol. Do not expose the metal chassis directly to sunlight, ultraviolet rays, or extreme temperatures. Prevent it from being shocked, and do not immerse it in any liquid.

Electric etching or engraving by high voltages can destroy the electronic chip.

No warranty will be given!

Never dismantle the metal chassis housing.